

JOLLYEvo

electric chain grinder



- Easy assembling
- 3 installation types: wall, bench and vise;
- Right/left hand chain saw grind equality;
- Well visible scale;
- Led light;
- Frontal arm setting handle;
- Self centering vise/ automatic vise;
- Sporting slide

- *Kettenschnellspannvorrichtung selbstzentrierend*
- *Led Glühbirne*
- *Bei Wechsel von linken auf rechten Zahn, gleichbleibende Länge der Zähne*
- *Präzise Schärfegeometrie*



PROFESSIONAL USE



ALL TYPE OF CHAIN



3/4" PITCH CHAINS



DOWN ANGLE ADJUSTMENT

certifications



230 V~ 50 Hz



120 V~ 60 Hz

P/N	VOLTAGE SPANNUNG		RATED POWER NENNLEISTUNG	MAX SPEED MAX DREHZAHL	CHAIN PITCH
	V~	Hz			
11389001	230	50	220	2700	1/4"
11399001	120	60	220	3150	.325" 3/8"
AUS 11389005	230	50	220	2700	.404"

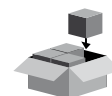
PACKAGING:

1 pc x Carton Box
39x29x22 cm

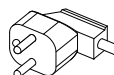


Q.TY x MASTER PACK: 4 pcs

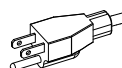
MASTER CARTON: 80x60x45 cm



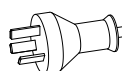
plugs



230 V~



120 V~



230 V~ AUS

ORDER MULTIPLES OF: 4 pcs

MAX Q.TY x PALLET 32 pcs



packaging



▶ provided with following items**GRINDING WHEEL**

- 1 pc Thickness 3,2 mm for: 1/4" - .325" - 3/8" chains
- 1 pc Thickness 4,7 mm for: .325" - 3/8" - .404" chains
- 1 pc Thickness 6,0 mm for depth gauge

**DRESSING BRICK**

- 1 pc

**TEMPLATE**

- 1 pc

**WRENCHES**

- 1 pc HEX. 4 mm
- 1 pc HEX. 5 mm

▶ accessories to be ordered separately for 3/4" chain**P/N D00400000**

3/4" Gauge template

**PACKAGING:** 10 pcs x Nylon Bag**TOTAL WEIGHT:** 0,2 kg**ORDER MULTIPLES OF:** 10 pcs**P/N K00204008**Grinding wheel for:
3/4" chain pitch.

th. 8,0 mm (5/16")

**PACKAGING:** 15 pcs x Carton Box**MASTER CARTON:** 24x18,5x18,5 cm**TOTAL WEIGHT:** 5,4 kg**ORDER MULTIPLES OF:** 15 pcs**P/N K00200406**Vise jass and chain stop
kit for

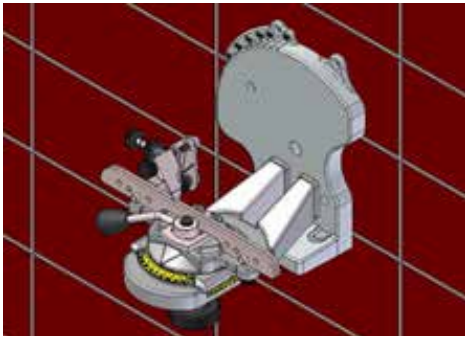
3/4" chain pitch.

Fits JollyEvo only

**PACKAGING:** 5 pcs x Nylon Bag**TOTAL WEIGHT:** 0,2 kg**ORDER MULTIPLES OF:** 5 pcs

JOLLYEvo

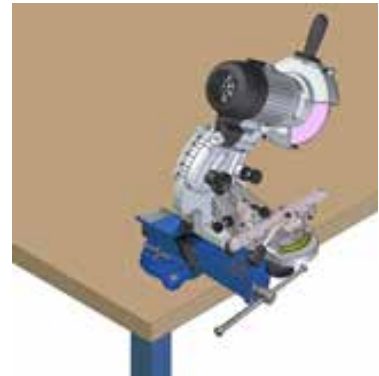
► **installation**



Wall
Mauer



Bench
Bank



Vise
Schraubstock

JOLLYEvo

► **highlights**



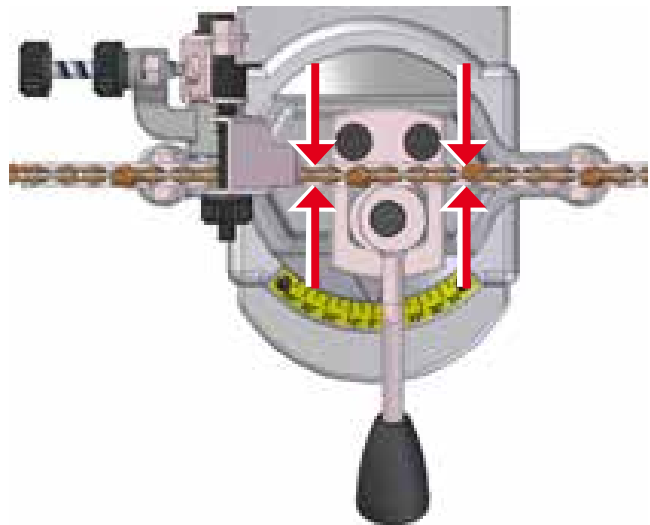
Frontal arm setting angle
Einstellung des Hebelsarms



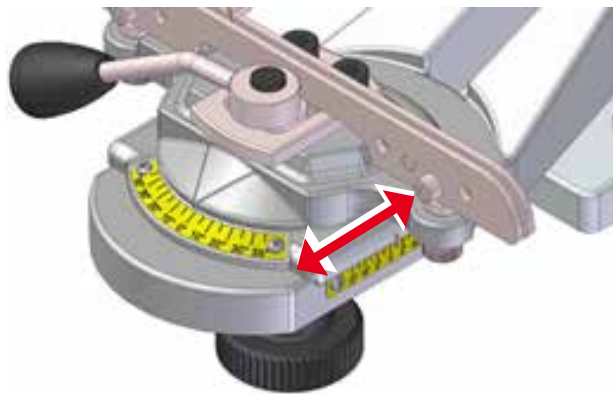
R/L hand chain saw grind equality
Bei Wechsel von linken auf rechten Zahn, gleichbleibende Länge der Zähne



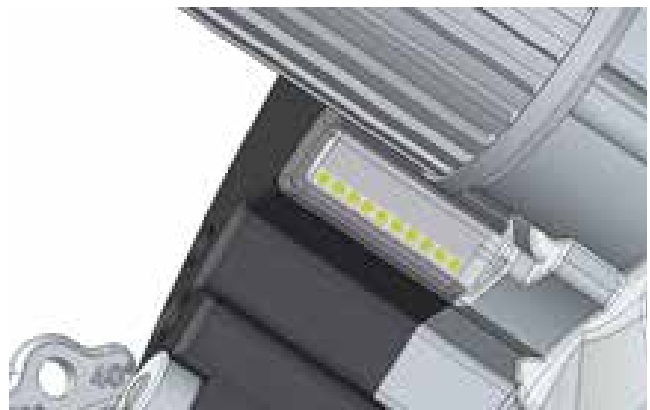
Well visible scale
Einfache Einstellung durch gut sichtbare Skala



Self centering vise
Kettenschnellspannvorrichtung selbstzentrierend



Sporting slide for down angle
10° Unterschliff durch Einstellung der Kettenführung



Led light
LED Glühbirne