



Auto-Lube Kit

(Item No. MILL-WLKIT)



Read these instructions manual before starting to use this equipment.



These instructions manual contain safety instructions.



Warning! Failure to follow the instructions can cause serious injury.

Save this manual and all instructions enclosed with optional accessories and review them frequently for continued safe operation of the equipment.

For your own safety and the safety of others, ensure that others who intend to use this equipment do not begin working with this equipment or handle blades before having read and understood the entire manual, all the instructions enclosed with optional accessories and the decals posted on the equipment.



Whenever this symbol appears, a tip follows that will simplify operations or improve the results.

The sharpener manual and the instructions enclosed with optional accessories should be considered a permanent part of the sharpener, should remain with the sharpener and should be delivered to the new purchaser if the sharpener is resold.

Norwood is constantly developing its products. For that reason, we reserve the right to make changes to the design, construction and finish of our equipment and products without notice.

Text: S. Cabrit
First Edition: April 2014
Latest Revision:

© **Copyright 2013 Norwood Industries Inc.** All rights reserved. No part of this publication may be reproduced in any form or by any means without permission in writing from the publisher, Norwood Industries Inc.

The trade-names Norwood[®], LumberPro[®], LumberMate[®], LumberLite[®], PortaMill[®] and MultiMate[®] are registered trade-marks owned by Norwood Industries Inc. Critical elements of Norwood sawmills and multi-purpose load-bearing apparatus for ATVs are protected in multiple jurisdictions by registered patents and pending patents.

Norwood Industries Inc. (U.S.A.): 252 Sonwil Drive, Buffalo, New York, 14225
Norwood Industries Inc. (Canada): 1660 Highway 11 North, R.R. #2, Kilworthy, Ontario, P0E 1G0

Toll-Free: 1-800-567-0404
Website: www.NorwoodSawmills.com
E-Mail: info@norwoodsawmills.com
International: 001-705-689-2800

Safety Instructions.



WARNING! This symbol means “Pay Extra Attention” and is always followed by a warning about a danger that can cause severe injury.



This symbol means “Pay Attention” and is always followed by a caution or warning of great importance for safety or sharpening results.



For your own safety and the safety of others, do not begin working with this equipment or handle blades before having read and understood the entire instruction manual.

Disclaimer

Norwood Industries Inc. disclaims any responsibility or liability, in negligence or otherwise, for any injuries, damages or losses of any kind arising during the course of assembling, operating or handling this equipment, options, accessories or blades howsoever caused.

Responsibility for final inspection of the sawmill parts and components, and the assembly, maintenance and safe use of the equipment, lies solely with the person(s) who assembles and operates the equipment and handles blades.

MILL-WLKIT (Water Lube System)			
Item #	Qty.	Description	Part #
1	2	#12 - 24 nut - hex nut	FASN-1224HN
2	2	#12 - 24 x 1 1/4" screw - pan head machine screw	FASS-1224114
3	2	3/8 nut - flanged (regular)	FASN-38RFL
4	4	3/8 x 3/4" bolt - flanged bolt (regular)	FASB-3834F
5	1	Slam latch (black) acetal (3 1/2" long)	FASL-38SLL
6	1	Water line cable (HD36, LM34, LM29)	LM34-WATVL
7	1	Water line tube (silicone) (HD36, LM34, LM29 & ML26) 66"	MILL-H2OST
8	1	Water valve bracket (LM34, HD36)	LM34-C0383
9	1	Water valve cover (LM34, HD36)	LM34-C0381
	1	Instruction manual	MILL-WLKIT-ENG

Assembly and Installation.



This is the approximate location where you need to install the water valve bracket (8).



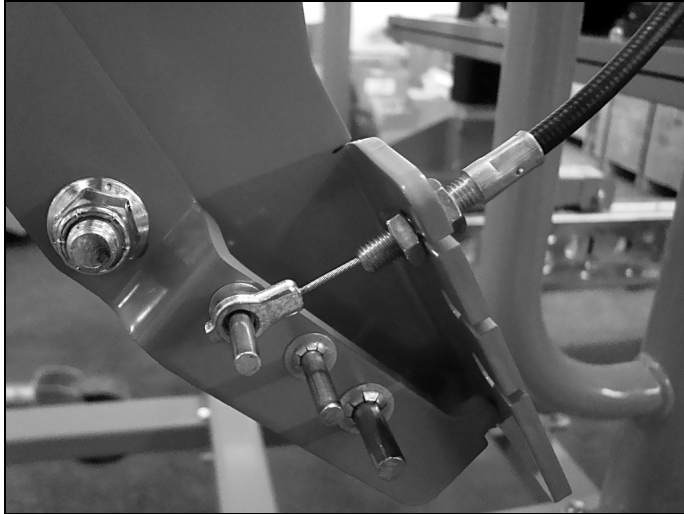
Install the water valve bracket (8) onto the lower part of the rear horizontal cover. Secure it with 3/8 x 3/4" flanged bolts (4).

NOTE:

If mounting holes are not already in your winch shaft cover, you will have to drill two 7/16" (11mm) holes and use the additional 3/8 nuts (3). See illustration "WLKIT-04-RC" for holes location.



Install the water on/off slam-latch actuator (5) into the water valve bracket (8). Push to the extreme right and secure the water actuator with the #12-24 x 1 1/4" machine screws (2) and nuts (1).



Install the Water line cable (6) to the top stud of the throttle lever assembly. Adjust the nuts to about the mid-point on the threads.



Route it up through the cable keeper.



Open the "hook" of the water valve cable spring slightly.



Install the water valve cable spring connector to the water on/off slam latch (5) and anchor the water valve cable (6) to the water control valve housing (8).

Adjust the nuts to about the mid-point of the threads. Operate the control lever and observe the water tube and tube pincher. Adjust the cable at either end or both ends to obtain full pinching of the tube when the lever is released.



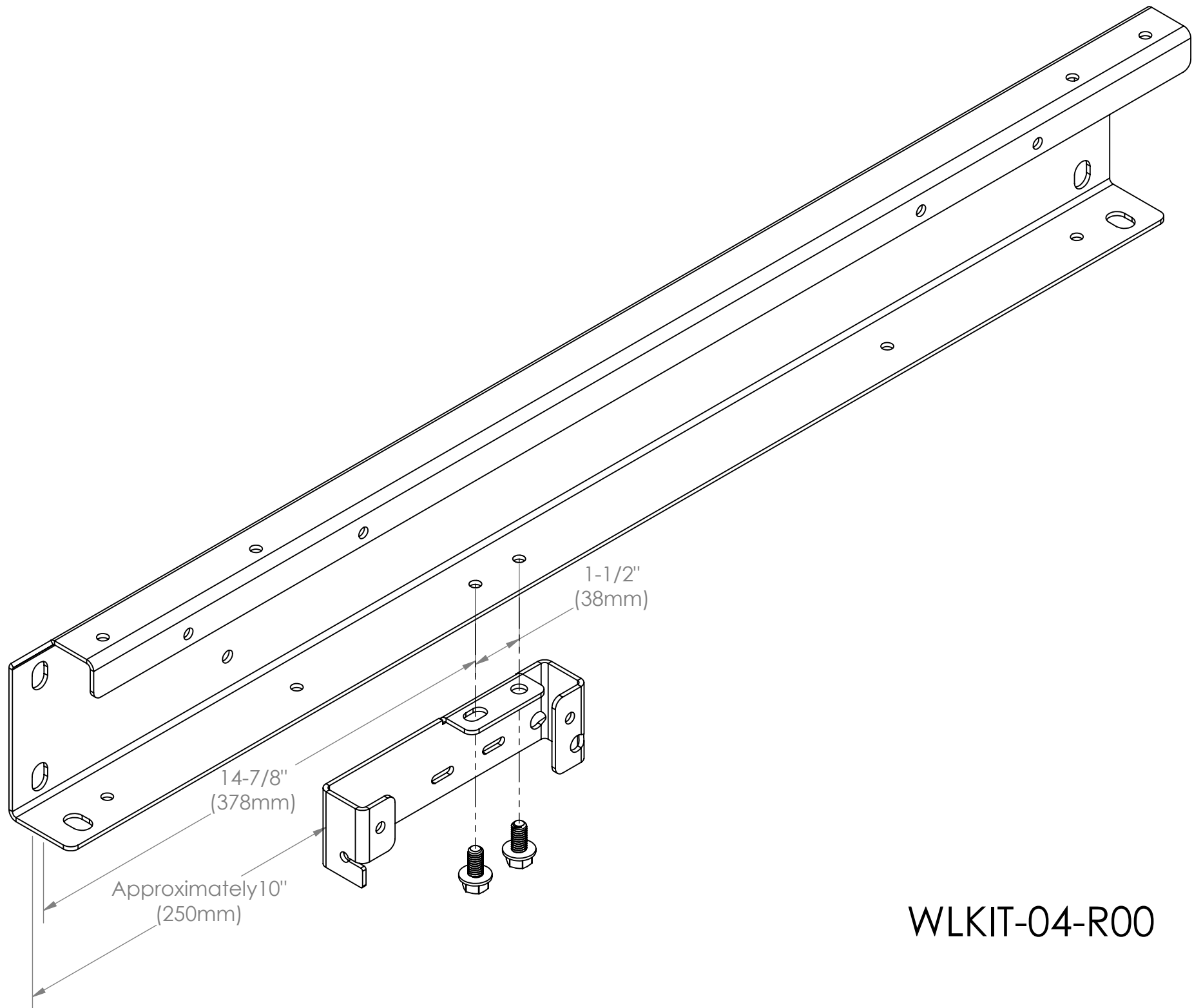
Install the water poly tube (7) into the flow control valve located on the water tank.

Route the other end of the water tube (7) through the water control housing (8) and then to the blade guide the exact same way the original water poly tube was.

NOTE: You will need to hold back the water on/off slam latch (5) while routing the poly tube through.



Install the water valve cover (9) and secure it with the 3/8 x 3/4" flanged bolts (4).



WLKIT-04-R00

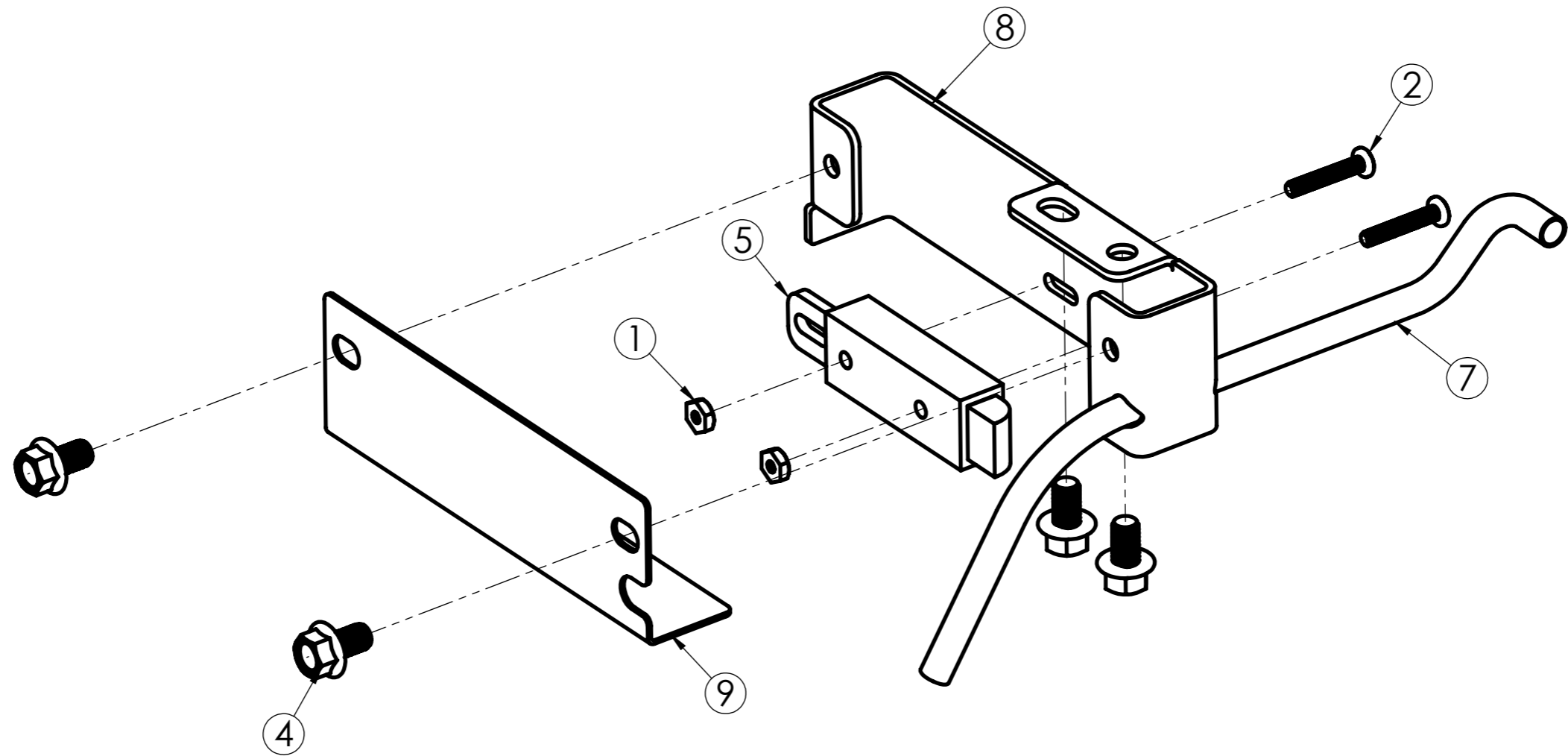


ILLUSTRATION - 20
MILL-WTKIT-R00

